

CUSTOM SOLENOID VALVE PWV
Datasheet

Project: PWM Water Valve (PWV)
Revision: 0
Date: 3/13/16
Industry: Water Dispensing

Specifications

Operation

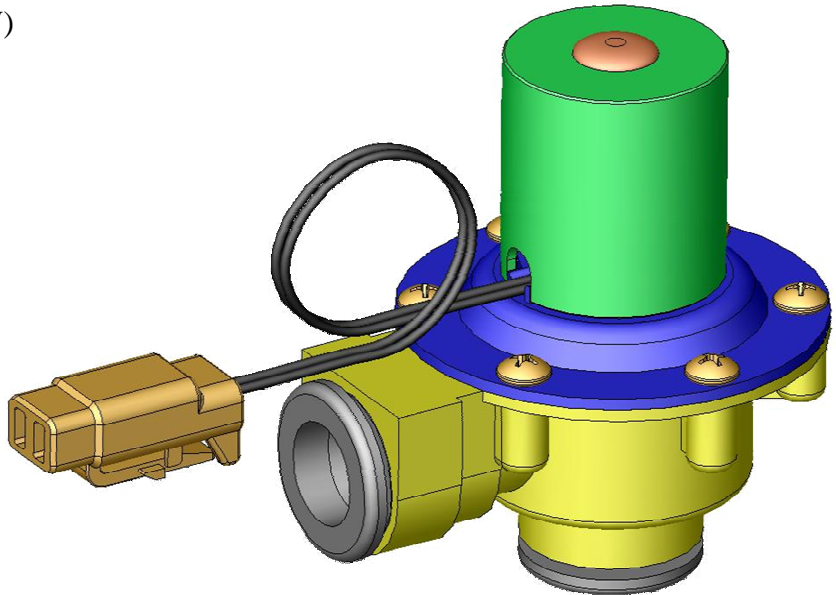
On/Off Flow Control Valve

Physical

Medium: Water
Flow: 0-10 gpm
Main Orifice: 7/16"
Inlet & Outlet: 1/2" Quick Connect
Connection: Push to Connect Inserts
Materials: NSF Grade
Inlet Pressure: 0-100 psig
Differential Pressure: 5 psig @ 10 gpm
Temperature: 0-90°C

Electrical

Power System: Pulse & Hold PWM Driver
Voltage: 12.0+/-0.5 vdc
Current: 1.0 A max
Frequency: 5-20 kHz
Initial ON Time: 50-150 ms
Duty Cycle: 25%
Lead Wires: 12", 18 AWG Copper Wire



This customer needed a high flow water valve that they could power with an energy saving PWM driver. This simple and low cost design allowed the customer to compete in a crowded marketplace and promote the energy saving features of their system.

This solenoid was designed to match the customer's electrical requirements as well as their unique port connections. Making the valve body to match their desired quick connects allowed them to save money and helped them compete with low cost competitors.

At Preston Solenoid, we work with our customers to help them achieve their goals. Contact us to see if you might make use of our capabilities and experience. We will be glad to provide you with a budgetary estimate and initial design proposal, all at no cost or obligation.

